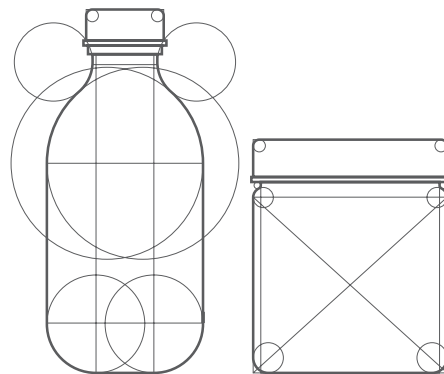




# ALCHEMIC SYSTEM

THE ALCHEMIC EXPERIENCE  
FOR NATURAL AND COLOURED HAIR



Sacred geometry. Sacred colours.  
Davines 2006



ALCHEMIC SHAMPOO  
TOBACCO

ALCHEMIC SHAMPOO  
SILVER

ALCHEMIC SHAMPOO  
GOLDEN

**product  
type**

ALCHEMIC TOBACCO SHAMPOO IS DESIGNED TO GENTLY CLEANSE BROWN OR LIGHT BROWN HAIR, WHILE INTENSIFYING NATURAL OR COSMETIC HAIR COLOURS.

ALCHEMIC SILVER SHAMPOO IS DESIGNED TO GENTLY CLEANSE PLATINUM BLONDE, HIGHLIGHTED OR GREY HAIR, WHILE INTENSIFYING NATURAL OR COSMETIC HAIR COLOURS. ALCHEMIC SILVER SHAMPOO ELIMINATES BRASSY TONES CAUSED BY NATURAL FACTORS, SUCH AS THE ENVIRONMENT, DECOLOURATION OR SUN EXPOSURE.

ALCHEMIC GOLDEN SHAMPOO IS DESIGNED TO GENTLY CLEANSE GOLDEN-BLONDE AND HONEY-BLONDE HAIR, WHILE INTENSIFYING NATURAL OR COSMETIC HAIR COLOURS.

**active  
ingredients**

MILD SURFACTANTS,  
HYDROLYSED MILK  
PROTEIN,  
PROVITAMIN B5, OLIVE  
OIL PEG-7 ESTERS,

MILD SURFACTANTS,  
HYDROLYSED MILK  
PROTEIN,  
PROVITAMIN B5, OLIVE  
OIL PEG-7 ESTERS,

MILD SURFACTANTS,  
HYDROLYSED MILK  
PROTEIN,  
PROVITAMIN B5, OLIVE  
OIL PEG-7 ESTERS,

**use**

APPLY ONTO WET HAIR AND MASSAGE GENTLY. RINSE THOROUGHLY AND REPEAT THE APPLICATION IF NECESSARY.

APPLY ONTO WET HAIR AND MASSAGE GENTLY. RINSE THOROUGHLY AND REPEAT THE APPLICATION IF NECESSARY.

APPLY ONTO WET HAIR AND MASSAGE GENTLY. RINSE THOROUGHLY AND REPEAT THE APPLICATION IF NECESSARY.

**notes**

pH 5.3

pH 5.3

pH 5.3



ALCHEMIC SHAMPOO  
COPPER

ALCHEMIC SHAMPOO  
RED

ALCHEMIC SHAMPOO  
CHOCOLATE

**product  
type**

ALCHEMIC COPPER SHAMPOO IS DESIGNED TO GENTLY CLEANSE COPPER HAIR, WHILE INTENSIFYING NATURAL OR COSMETIC HAIR COLOURS.

ALCHEMIC RED SHAMPOO IS DESIGNED TO GENTLY CLEANSE RED OR MAHOGANY HAIR, WHILE INTENSIFYING NATURAL OR COSMETIC HAIR COLOURS.

ALCHEMIC CHOCOLATE SHAMPOO IS DESIGNED TO GENTLY CLEANSE DARK BROWN AND BLACK HAIR, WHILE INTENSIFYING NATURAL OR COSMETIC HAIR COLOURS.

**active  
ingredients**

MILD SURFACTANTS, HYDROLYSED MILK PROTEIN, PROVITAMIN B5, OLIVE OIL PEG-7 ESTERS,

MILD SURFACTANTS, HYDROLYSED MILK PROTEIN, PROVITAMIN B5, OLIVE OIL PEG-7 ESTERS,

MILD SURFACTANTS, HYDROLYSED MILK PROTEIN, PROVITAMIN B5, OLIVE OIL PEG-7 ESTERS,

**use**

APPLY ONTO WET HAIR AND MASSAGE GENTLY. RINSE THOROUGHLY AND REPEAT THE APPLICATION IF NECESSARY.

APPLY ONTO WET HAIR AND MASSAGE GENTLY. RINSE THOROUGHLY AND REPEAT THE APPLICATION IF NECESSARY.

APPLY ONTO WET HAIR AND MASSAGE GENTLY. RINSE THOROUGHLY AND REPEAT THE APPLICATION IF NECESSARY.

**notes**

pH 5.3

pH 5.3

pH 5.3



ALCHEMIC  
CONDITIONER  
TOBACCO

ALCHEMIC TOBACCO CONDITIONER IS A COLOURED CONDITIONING CREAM, BASED ON MILK PROTEINS, THAT INTENSIFIES AND ACCENTUATES NATURAL OR COSMETIC BROWN OR LIGHT BROWN HAIR COLOURS.

MILK PROTEINS, SPECIFIC DIRECT COLORANTS, COLOUR SPECIFIC CONDITIONER.

AFTER USING ALCHEMIC TOBACCO SHAMPOO, TOWEL DRY HAIR AND APPLY A SMALL AMOUNT OF CONDITIONER, SPREADING IT EVENLY THROUGH THE HAIR. LEAVE FOR 5 TO 8 MINUTES. RINSE THOROUGHLY.

pH 4.8



ALCHEMIC  
CONDITIONER  
SILVER

ALCHEMIC SILVER CONDITIONER IS A COLOURED CONDITIONING CREAM, BASED ON MILK PROTEINS, THAT INTENSIFIES AND ACCENTUATES NATURAL OR COSMETIC HAIR COLOURS IN PLATINUM BLONDE, HIGHLIGHTED OR GREY HAIR. ALCHEMIC SILVER CONDITIONER ELIMINATES BRASSY TONES CAUSED BY NATURAL FACTORS, SUCH AS THE ENVIRONMENT, DECOLOURATION OR SUN EXPOSURE.

MILK PROTEINS, SPECIFIC DIRECT COLORANTS, COLOUR SPECIFIC CONDITIONER.

AFTER USING ALCHEMIC SILVER SHAMPOO, TOWEL DRY HAIR AND APPLY A SMALL AMOUNT OF CONDITIONER, SPREADING IT EVENLY THROUGH THE HAIR. LEAVE FOR 5 TO 8 MINUTES. RINSE THOROUGHLY.

pH 4.8



ALCHEMIC  
CONDITIONER  
GOLDEN

ALCHEMIC GOLDEN CONDITIONER IS A COLOURED CONDITIONING CREAM, BASED ON MILK PROTEINS, THAT INTENSIFIES AND ACCENTUATES NATURAL OR COSMETIC GOLDEN-BLONDE AND HONEY-BLONDE HAIR COLOURS

MILK PROTEINS, SPECIFIC DIRECT COLORANTS, COLOUR SPECIFIC CONDITIONER.

AFTER USING ALCHEMIC GOLDEN SHAMPOO, TOWEL DRY HAIR AND APPLY A SMALL AMOUNT OF CONDITIONER, SPREADING IT EVENLY THROUGH THE HAIR. LEAVE FOR 5 TO 8 MINUTES. RINSE THOROUGHLY.

pH 4.8

product  
type

active  
ingredients

use

notes

ALCHEMIC SYSTEM



ALCHEMIC  
CONDITIONER  
COPPER

ALCHEMIC COPPER CONDITIONER IS A COLOURED CONDITIONING CREAM, BASED ON MILK PROTEINS, THAT INTENSIFIES AND ACCENTUATES NATURAL OR COSMETIC COPPER HAIR COLOURS.

MILK PROTEINS, SPECIFIC DIRECT COLORANTS, COLOUR SPECIFIC CONDITIONER.

AFTER USING ALCHEMIC COPPER SHAMPOO, TOWEL DRY HAIR AND APPLY A SMALL AMOUNT OF CONDITIONER, SPREADING IT EVENLY THROUGH THE HAIR. LEAVE FOR 5 TO 8 MINUTES. RINSE THOROUGHLY.

pH 4.8



ALCHEMIC  
CONDITIONER  
RED

ALCHEMIC RED CONDITIONER IS A COLOURED CONDITIONING CREAM, BASED ON MILK PROTEINS, THAT INTENSIFIES AND ACCENTUATES NATURAL OR COSMETIC RED OR MAHOGANY HAIR COLOURS.

MILK PROTEINS, SPECIFIC DIRECT COLORANTS, COLOUR SPECIFIC CONDITIONER.

AFTER USING ALCHEMIC RED SHAMPOO, TOWEL DRY HAIR AND APPLY A SMALL AMOUNT OF CONDITIONER, SPREADING IT EVENLY THROUGH THE HAIR. LEAVE FOR 5 TO 8 MINUTES. RINSE THOROUGHLY.

pH 4.8



ALCHEMIC  
CONDITIONER  
CHOCOLATE

ALCHEMIC CHOCOLATE CONDITIONER IS A COLOURED CONDITIONING CREAM, BASED ON MILK PROTEINS, THAT INTENSIFIES AND ACCENTUATES NATURAL OR COSMETIC DARK BROWN OR BLACK HAIR COLOURS.

MILK PROTEINS, SPECIFIC DIRECT COLORANTS, COLOUR SPECIFIC CONDITIONER.

AFTER USING ALCHEMIC CHOCOLATE SHAMPOO, TOWEL DRY HAIR AND APPLY A SMALL AMOUNT OF CONDITIONER, SPREADING IT EVENLY THROUGH THE HAIR. LEAVE FOR 5 TO 8 MINUTES. RINSE THOROUGHLY.

pH 4.8

product  
type

active  
ingredients

use

notes



## ALCHEMIC SHAMPOO TOBACCO pH 5.3

### DESCRIPTION

ALCHEMIC TOBACCO SHAMPOO IS DESIGNED TO GENTLY CLEANSE BROWN OR LIGHT BROWN HAIR, WHILE INTENSIFYING NATURAL OR COSMETIC HAIR COLOURS.

### PROPERTIES

THE SPECIAL FORMULA, ENRICHED WITH MILK PROTEINS AND VITAMINS, HAS A DEEP NOURISHING AND MOISTURIZING EFFECT, THAT LEAVES HAIR FEELING SOFT AND SILKY.

### MAIN ACTIVE INGREDIENTS

*MILD SURFACTANTS* THAT GENTLY AND CAREFULLY CLEANSE BOTH HAIR AND HAIR COLOUR.  
*HYDROLYSED MILK PROTEIN* FOR AN INTENSE CONDITIONING AND PROTECTIVE ACTION.  
*PROVITAMIN B5* FOR A DEEP MOISTURIZING EFFECT THAT LEAVES HAIR FEELING INCREDIBLY SHINY.  
*OLIVE OIL PEG-7 ESTERS*, DERIVED FROM OLIVE OIL, RESTORES THE NATURAL HYDRO-LIPID BALANCE, LEAVING HAIR THAT IS HEALTHY AND PROTECTED.

### DIRECTIONS

APPLY ALCHEMIC TOBACCO SHAMPOO ONTO WET HAIR AND MASSAGE GENTLY. RINSE THOROUGHLY AND REPEAT THE APPLICATION IF NECESSARY.

### SUITABLE FOR

BROWN OR LIGHT BROWN HAIR.

### RESULT

ALCHEMIC TOBACCO SHAMPOO, USED TOGETHER WITH ALCHEMIC TOBACCO CONDITIONER, HELPS MAINTAIN THE BRILLIANCE AND SHINE OF HAIR COLOUR OVER TIME.

### PACKAGE

250ML/8.45 FL.OZ.  
1000ML/33.6 FL.OZ.

ALCHEMIC SYSTEM



## ALCHEMIC SHAMPOO SILVER pH 5.3

### DESCRIPTION

ALCHEMIC SILVER SHAMPOO IS DESIGNED TO GENTLY CLEANSE PLATINUM BLONDE, HIGHLIGHTED OR GREY HAIR, WHILE INTENSIFYING NATURAL OR COSMETIC HAIR COLOURS. ALCHEMIC SILVER SHAMPOO ELIMINATES BRASSY TONES CAUSED BY NATURAL FACTORS, SUCH AS THE ENVIRONMENT, DECOLOURATION OR SUN EXPOSURE.

### PROPERTIES

THE SPECIAL FORMULA, ENRICHED WITH MILK PROTEINS AND VITAMINS, HAS A DEEP NOURISHING AND MOISTURIZING EFFECT, THAT LEAVES HAIR FEELING SOFT AND SILKY.

### MAIN ACTIVE INGREDIENTS

*MILD SURFACTANTS* THAT GENTLY AND CAREFULLY CLEANSE BOTH HAIR AND HAIR COLOUR.  
*HYDROLYSED MILK PROTEIN* FOR AN INTENSE CONDITIONING AND PROTECTIVE ACTION.  
*PROVITAMIN B5* FOR A DEEP MOISTURIZING EFFECT THAT LEAVES HAIR FEELING INCREDIBLY SHINY.  
*OLIVE OIL PEG-7 ESTERS*, DERIVED FROM OLIVE OIL, RESTORES THE NATURAL HYDRO-LIPID BALANCE, LEAVING HAIR THAT IS HEALTHY AND PROTECTED.

### DIRECTIONS

APPLY ALCHEMIC SILVER SHAMPOO ONTO WET HAIR AND MASSAGE GENTLY. RINSE THOROUGHLY AND REPEAT THE APPLICATION IF NECESSARY.

### SUITABLE FOR

PLATINUM BLONDE, HIGHLIGHTED OR GREY HAIR.

### RESULT

ALCHEMIC SILVER SHAMPOO HELPS TO MAINTAIN THE INTENSITY OF HAIR COLOUR OVER TIME, PERFECTLY BALANCING BOTH NATURAL AND COSMETIC HAIR COLOURS. USED TOGETHER WITH ALCHEMIC SILVER CONDITIONER, ALCHEMIC SILVER SHAMPOO HELPS MAINTAIN THE BRILLIANCE AND SHINE OF HAIR COLOUR OVER TIME.

### PACKAGE

250ML/8.45 FL.OZ.  
1000ML/33.6 FL.OZ.

ALCHEMIC SYSTEM



## ALCHEMIC SHAMPOO GOLDEN pH 5.3

### DESCRIPTION

ALCHEMIC GOLDEN SHAMPOO IS DESIGNED TO GENTLY CLEANSE GOLDEN-BLONDE AND HONEY-BLONDE HAIR, WHILE INTENSIFYING NATURAL OR COSMETIC HAIR COLOURS.

### PROPERTIES

THE SPECIAL FORMULA, ENRICHED WITH MILK PROTEINS AND VITAMINS, HAS A DEEP NOURISHING AND MOISTURIZING EFFECT, THAT LEAVES HAIR FEELING SOFT AND SILKY.

### MAIN ACTIVE INGREDIENTS

*MILD SURFACTANTS* THAT GENTLY AND CAREFULLY CLEANSE BOTH HAIR AND HAIR COLOUR.

*HYDROLYSED MILK PROTEIN* FOR AN INTENSE CONDITIONING AND PROTECTIVE ACTION.

*PROVITAMIN B5* FOR A DEEP MOISTURIZING EFFECT THAT LEAVES HAIR FEELING INCREDIBLY SHINY.

*OLIVE OIL PEG-7 ESTERS*, DERIVED FROM OLIVE OIL, RESTORES THE NATURAL HYDRO-LIPID BALANCE, LEAVING HAIR THAT IS HEALTHY AND PROTECTED.

### DIRECTIONS

APPLY ALCHEMIC GOLDEN SHAMPOO ONTO WET HAIR AND MASSAGE GENTLY. RINSE THOROUGHLY AND REPEAT THE APPLICATION IF NECESSARY.

### SUITABLE FOR

GOLDEN-BLONDE AND HONEY-BLONDE HAIR.

### RESULT

USED TOGETHER WITH ALCHEMIC GOLDEN CONDITIONER, ALCHEMIC GOLDEN SHAMPOO HELPS MAINTAIN THE BRILLIANCE AND SHINE OF HAIR COLOUR OVER TIME.

### PACKAGE

250ML/8.45 FL.OZ.

1000ML/33.6 FL.OZ.

ALCHEMIC SYSTEM



## ALCHEMIC SHAMPOO COPPER pH 5.3

### DESCRIPTION

ALCHEMIC COPPER SHAMPOO IS DESIGNED TO GENTLY CLEANSE COPPER HAIR, WHILE INTENSIFYING NATURAL OR COSMETIC HAIR COLOURS.

### PROPERTIES

THE SPECIAL FORMULA, ENRICHED WITH MILK PROTEINS AND VITAMINS, HAS A DEEP NOURISHING AND MOISTURIZING EFFECT, THAT LEAVES HAIR FEELING SOFT AND SILKY.

### MAIN ACTIVE INGREDIENTS

*MILD SURFACTANTS* THAT GENTLY AND CAREFULLY CLEANSE BOTH HAIR AND HAIR COLOUR.

*HYDROLYSED MILK PROTEIN* FOR AN INTENSE CONDITIONING AND PROTECTIVE ACTION.

*PROVITAMIN B5* FOR A DEEP MOISTURIZING EFFECT THAT LEAVES HAIR FEELING INCREDIBLY SHINY.

*OLIVE OIL PEG-7 ESTERS*, DERIVED FROM OLIVE OIL, RESTORES THE NATURAL HYDRO-LIPID BALANCE, LEAVING HAIR THAT IS HEALTHY AND PROTECTED.

### DIRECTIONS

APPLY ALCHEMIC COPPER SHAMPOO ONTO WET HAIR AND MASSAGE GENTLY. RINSE THOROUGHLY AND REPEAT THE APPLICATION IF NECESSARY.

### SUITABLE FOR

COPPER HAIR.

### RESULT

USED TOGETHER WITH ALCHEMIC COPPER CONDITIONER, ALCHEMIC COPPER SHAMPOO HELPS MAINTAIN THE BRILLIANCE AND SHINE OF HAIR COLOUR OVER TIME.

### PACKAGE

250ML/8.45 FL.OZ.

1000ML/33.6 FL.OZ.

ALCHEMIC SYSTEM



## ALCHEMIC SHAMPOO RED pH 5.3

### DESCRIPTION

ALCHEMIC RED SHAMPOO IS DESIGNED TO GENTLY CLEANSE RED OR MAHOGANY HAIR, WHILE INTENSIFYING NATURAL OR COSMETIC HAIR COLOURS.

### PROPERTIES

THE SPECIAL FORMULA, ENRICHED WITH MILK PROTEINS AND VITAMINS, HAS A DEEP NOURISHING AND MOISTURIZING EFFECT, THAT LEAVES HAIR FEELING SOFT AND SILKY.

### MAIN ACTIVE INGREDIENTS

*MILD SURFACTANTS* THAT GENTLY AND CAREFULLY CLEANSE BOTH HAIR AND HAIR COLOUR.

*HYDROLYSED MILK PROTEIN* FOR AN INTENSE CONDITIONING AND PROTECTIVE ACTION.

*PROVITAMIN B5* FOR A DEEP MOISTURIZING EFFECT THAT LEAVES HAIR FEELING INCREDIBLY SHINY.

*OLIVE OIL PEG-7 ESTERS*, DERIVED FROM OLIVE OIL, RESTORES THE NATURAL HYDRO-LIPID BALANCE, LEAVING HAIR THAT IS HEALTHY AND PROTECTED.

### DIRECTIONS

APPLY ALCHEMIC RED SHAMPOO ONTO WET HAIR AND MASSAGE GENTLY. RINSE THOROUGHLY AND REPEAT THE APPLICATION IF NECESSARY.

### SUITABLE FOR

RED OR MAHOGANY HAIR.

### RESULT

USED TOGETHER WITH ALCHEMIC RED CONDITIONER, ALCHEMIC RED SHAMPOO HELPS MAINTAIN THE BRILLIANCE AND SHINE OF HAIR COLOUR OVER TIME.

### PACKAGE

250ML/8.45 FL.OZ.

1000ML/33.6 FL.OZ.

ALCHEMIC SYSTEM



## ALCHEMIC SHAMPOO CHOCOLATE pH 5.3

### DESCRIPTION

ALCHEMIC CHOCOLATE SHAMPOO IS DESIGNED TO GENTLY CLEANSE DARK BROWN AND BLACK HAIR, WHILE INTENSIFYING NATURAL OR COSMETIC HAIR COLOURS.

### PROPERTIES

THE SPECIAL FORMULA, ENRICHED WITH MILK PROTEINS AND VITAMINS, HAS A DEEP NOURISHING AND MOISTURIZING EFFECT, THAT LEAVES HAIR FEELING SOFT AND SILKY.

### MAIN ACTIVE INGREDIENTS

*MILD SURFACTANTS* THAT GENTLY AND CAREFULLY CLEANSE BOTH HAIR AND HAIR COLOUR.

*HYDROLYSED MILK PROTEIN* FOR AN INTENSE CONDITIONING AND PROTECTIVE ACTION.

*PROVITAMIN B5* FOR A DEEP MOISTURIZING EFFECT THAT LEAVES HAIR FEELING INCREDIBLY SHINY.

*OLIVE OIL PEG-7 ESTERS*, DERIVED FROM OLIVE OIL, RESTORES THE NATURAL HYDRO-LIPID BALANCE, LEAVING HAIR THAT IS HEALTHY AND PROTECTED.

### DIRECTIONS

APPLY ALCHEMIC CHOCOLATE SHAMPOO ONTO WET HAIR AND MASSAGE GENTLY. RINSE THOROUGHLY AND REPEAT THE APPLICATION IF NECESSARY.

### SUITABLE FOR

DARK BROWN AND BLACK HAIR.

### RESULT

ALCHEMIC CHOCOLATE SHAMPOO, USED TOGETHER WITH ALCHEMIC CHOCOLATE CONDITIONER, HELPS MAINTAIN THE BRILLIANCE AND SHINE OF HAIR COLOUR OVER TIME.

### PACKAGE

250ML/8.45 FL.OZ.

1000ML/33.6 FL.OZ.

ALCHEMIC SYSTEM



## ALCHEMIC CONDITIONER TOBACCO pH 4.8

### DESCRIPTION

ALCHEMIC TOBACCO CONDITIONER IS A COLOURED CONDITIONING CREAM, BASED ON MILK PROTEINS, THAT INTENSIFIES AND ACCENTUATES NATURAL OR COSMETIC BROWN OR LIGHT BROWN HAIR COLOURS.

### PROPERTIES

THE SPECIAL FORMULA, ENRICHED WITH MILK PROTEINS AND SPECIFIC CONDITIONERS, DEEPLY PROTECTS AND MOISTURIZES HAIR WHILE AT THE SAME TIME ENSURING MORE VIBRANT AND LONGLASTING COLOURS.

### MAIN ACTIVE INGREDIENTS

*MILK PROTEINS* FOR AN INTENSE CONDITIONING AND PROTECTIVE HAIR TREATMENT, THAT HELPS PREVENT THE FORMATION OF SPLIT ENDS.

*SPECIFIC DIRECT COLORANTS* INTENSIFY NATURAL AND COSMETIC HAIR COLOURS THAT LAST LONGER. *COLOUR SPECIFIC CONDITIONER* HELPS GIVE HAIR SHINE AND SILKINESS, WHILE PROTECTING THE COLOUR.

### DIRECTIONS

AFTER USING ALCHEMIC TOBACCO SHAMPOO, TOWEL DRY HAIR AND APPLY A SMALL AMOUNT OF CONDITIONER, SPREADING IT EVENLY THROUGH THE HAIR. LEAVE FOR 5 TO 8 MINUTES. RINSE THOROUGHLY.

### SUITABLE FOR

BROWN OR LIGHT BROWN HAIR

### RESULT

ALCHEMIC TOBACCO CONDITIONER HELPS MAINTAIN THE BRILLIANCE AND SHINE OF HAIR COLOUR OVER TIME.

### PACKAGE

250ML/8.45 FL.OZ.  
1000ML/33.6 FL.OZ.

ALCHEMIC SYSTEM



## ALCHEMIC CONDITIONER SILVER pH 4.8

### DESCRIPTION

ALCHEMIC SILVER CONDITIONER IS A COLOURED CONDITIONING CREAM, BASED ON MILK PROTEINS, THAT INTENSIFIES AND ACCENTUATES NATURAL OR COSMETIC HAIR COLOURS IN PLATINUM BLONDE, HIGHLIGHTED OR GREY HAIR. ALCHEMIC SILVER CONDITIONER ELIMINATES BRASSY TONES CAUSED BY NATURAL FACTORS, SUCH AS THE ENVIRONMENT, DECOLOURATION OR SUN EXPOSURE.

### PROPERTIES

THE SPECIAL FORMULA, ENRICHED WITH MILK PROTEINS AND SPECIFIC CONDITIONERS, DEEPLY PROTECTS AND MOISTURIZES HAIR WHILE AT THE SAME TIME ENSURING MORE VIBRANT AND LONGLASTING COLOURS.

### MAIN ACTIVE INGREDIENTS

*MILK PROTEINS* FOR AN INTENSE CONDITIONING AND PROTECTIVE HAIR TREATMENT, THAT HELPS PREVENT THE FORMATION OF SPLIT ENDS.

*SPECIFIC DIRECT COLORANTS* INTENSIFY NATURAL AND COSMETIC HAIR COLOURS THAT LAST LONGER. *COLOUR SPECIFIC CONDITIONER* HELPS GIVE HAIR SHINE AND SILKINESS, WHILE PROTECTING THE COLOUR.

### DIRECTIONS

AFTER USING ALCHEMIC SILVER SHAMPOO, TOWEL DRY HAIR AND APPLY A SMALL AMOUNT OF CONDITIONER, SPREADING IT EVENLY THROUGH THE HAIR. LEAVE FOR 5 TO 8 MINUTES. RINSE THOROUGHLY.

### SUITABLE FOR

PLATINUM BLONDE, HIGHLIGHTED OR GREY HAIR.

### RESULT

ALCHEMIC SILVER CONDITIONER HELPS BALANCE THE COLOUR OF BOTH NATURALLY AND COSMETICALLY COLOURED HAIR, SO THAT HAIR REMAINS INCREDIBLY BRILLIANT AND SHINY FOR LONGER. ALCHEMIC SILVER CONDITIONER HELPS MAINTAIN THE BRILLIANCE AND SHINE OF HAIR COLOUR OVER TIME.

### PACKAGE

250ML/8.45 FL.OZ.  
1000ML/33.6 FL.OZ.

ALCHEMIC SYSTEM



## ALCHEMIC CONDITIONER GOLDEN pH 4.8

### DESCRIPTION

ALCHEMIC GOLDEN CONDITIONER IS A COLOURED CONDITIONING CREAM, BASED ON MILK PROTEINS, THAT INTENSIFIES AND ACCENTUATES NATURAL OR COSMETIC GOLDEN-BLONDE AND HONEY-BLONDE HAIR COLOURS

### PROPERTIES

THE SPECIAL FORMULA, ENRICHED WITH MILK PROTEINS AND SPECIFIC CONDITIONERS, DEEPLY PROTECTS AND MOISTURIZES HAIR WHILE AT THE SAME TIME ENSURING MORE VIBRANT AND LONGLASTING COLOURS.

### MAIN ACTIVE INGREDIENTS

*MILK PROTEINS* FOR AN INTENSE CONDITIONING AND PROTECTIVE HAIR TREATMENT, THAT HELPS PREVENT THE FORMATION OF SPLIT ENDS.  
*SPECIFIC DIRECT COLORANTS* INTENSIFY NATURAL AND COSMETIC HAIR COLOURS THAT LAST LONGER.  
*COLOUR SPECIFIC CONDITIONER* HELPS GIVE HAIR SHINE AND SILKINESS, WHILE PROTECTING THE COLOUR.

### DIRECTIONS

AFTER USING ALCHEMIC GOLDEN SHAMPOO, TOWEL DRY HAIR AND APPLY A SMALL AMOUNT OF CONDITIONER, SPREADING IT EVENLY THROUGH THE HAIR. LEAVE FOR 5 TO 8 MINUTES. RINSE THOROUGHLY.

### SUITABLE FOR

GOLDEN-BLONDE AND HONEY-BLONDE HAIR.

### RESULT

ALCHEMIC GOLDEN CONDITIONER HELPS MAINTAIN THE BRILLIANCE AND SHINE OF HAIR COLOUR OVER TIME.

### PACKAGE

250ML/8.45 FL.OZ.  
1000ML/33.6 FL.OZ.

ALCHEMIC SYSTEM



## ALCHEMIC CONDITIONER COPPER pH 4.8

### DESCRIPTION

ALCHEMIC COPPER CONDITIONER IS A COLOURED CONDITIONING CREAM, BASED ON MILK PROTEINS, THAT INTENSIFIES AND ACCENTUATES NATURAL OR COSMETIC COPPER HAIR COLOURS.

### PROPERTIES

THE SPECIAL FORMULA, ENRICHED WITH MILK PROTEINS AND SPECIFIC CONDITIONERS, DEEPLY PROTECTS AND MOISTURIZES HAIR WHILE AT THE SAME TIME ENSURING MORE VIBRANT AND LONGLASTING COLOURS.

### MAIN ACTIVE INGREDIENTS

*MILK PROTEINS* FOR AN INTENSE CONDITIONING AND PROTECTIVE HAIR TREATMENT, THAT HELPS PREVENT THE FORMATION OF SPLIT ENDS.

*SPECIFIC DIRECT COLORANTS* INTENSIFY NATURAL AND COSMETIC HAIR COLOURS THAT LAST LONGER. *COLOUR SPECIFIC CONDITIONER* HELPS GIVE HAIR SHINE AND SILKINESS, WHILE PROTECTING THE COLOUR.

### DIRECTIONS

AFTER USING ALCHEMIC COPPER SHAMPOO, TOWEL DRY HAIR AND APPLY A SMALL AMOUNT OF CONDITIONER, SPREADING IT EVENLY THROUGH THE HAIR. LEAVE FOR 5 TO 8 MINUTES. RINSE THOROUGHLY.

**SUITABLE FOR**  
COPPER HAIR.

### RESULT

ALCHEMIC COPPER CONDITIONER HELPS MAINTAIN THE BRILLIANCE AND SHINE OF HAIR COLOUR OVER TIME.

**PACKAGE**  
250ML/8.45 FL.OZ.  
1000ML/33.6 FL.OZ.

ALCHEMIC SYSTEM



## ALCHEMIC CONDITIONER RED pH 4.8

### DESCRIPTION

ALCHEMIC RED CONDITIONER IS A COLOURED CONDITIONING CREAM, BASED ON MILK PROTEINS, THAT INTENSIFIES AND ACCENTUATES NATURAL OR COSMETIC RED OR MAHOGANY HAIR COLOURS.

### PROPERTIES

THE SPECIAL FORMULA, ENRICHED WITH MILK PROTEINS AND SPECIFIC CONDITIONERS, DEEPLY PROTECTS AND MOISTURIZES HAIR WHILE AT THE SAME TIME ENSURING MORE VIBRANT AND LONGLASTING COLOURS.

### MAIN ACTIVE INGREDIENTS

*MILK PROTEINS* FOR AN INTENSE CONDITIONING AND PROTECTIVE HAIR TREATMENT, THAT HELPS PREVENT THE FORMATION OF SPLIT ENDS.

*SPECIFIC DIRECT COLORANTS* INTENSIFY NATURAL AND COSMETIC HAIR COLOURS THAT LAST LONGER. *COLOUR SPECIFIC CONDITIONER* HELPS GIVE HAIR SHINE AND SILKINESS, WHILE PROTECTING THE COLOUR.

### DIRECTIONS

AFTER USING ALCHEMIC RED SHAMPOO, TOWEL DRY HAIR AND APPLY A SMALL AMOUNT OF CONDITIONER, SPREADING IT EVENLY THROUGH THE HAIR. LEAVE FOR 5 TO 8 MINUTES. RINSE THOROUGHLY.

### SUITABLE FOR

RED OR MAHOGANY HAIR.

### RESULT

ALCHEMIC RED CONDITIONER HELPS MAINTAIN THE BRILLIANCE AND SHINE OF HAIR COLOUR OVER TIME.

### PACKAGE

250ML/8.45 FL.OZ.  
1000ML/33.6 FL.OZ.

ALCHEMIC SYSTEM



## ALCHEMIC CONDITIONER CHOCOLATE pH 4.8

### DESCRIPTION

ALCHEMIC CHOCOLATE CONDITIONER IS A COLOURED CONDITIONING CREAM, BASED ON MILK PROTEINS, THAT INTENSIFIES AND ACCENTUATES NATURAL OR COSMETIC DARK BROWN OR BLACK HAIR COLOURS.

### PROPERTIES

THE SPECIAL FORMULA, ENRICHED WITH MILK PROTEINS AND SPECIFIC CONDITIONERS, DEEPLY PROTECTS AND MOISTURIZES HAIR WHILE AT THE SAME TIME ENSURING MORE VIBRANT AND LONGLASTING COLOURS.

### MAIN ACTIVE INGREDIENTS

*MILK PROTEINS* FOR AN INTENSE CONDITIONING AND PROTECTIVE HAIR TREATMENT, THAT HELPS PREVENT THE FORMATION OF SPLIT ENDS.

*SPECIFIC DIRECT COLORANTS* INTENSIFY NATURAL AND COSMETIC HAIR COLOURS THAT LAST LONGER. *COLOUR SPECIFIC CONDITIONER* HELPS GIVE HAIR SHINE AND SILKINESS, WHILE PROTECTING THE COLOUR.

### DIRECTIONS

AFTER USING ALCHEMIC CHOCOLATE SHAMPOO, TOWEL DRY HAIR AND APPLY A SMALL AMOUNT OF CONDITIONER, SPREADING IT EVENLY THROUGH THE HAIR. LEAVE FOR 5 TO 8 MINUTES. RINSE THOROUGHLY.

### SUITABLE FOR

DARK BROWN AND BLACK HAIR.

### RESULT

ALCHEMIC CHOCOLATE CONDITIONER HELPS MAINTAIN THE BRILLIANCE AND SHINE OF HAIR COLOUR OVER TIME.

### PACKAGE

250ML/8.45 FL.OZ.  
1000ML/33.6 FL.OZ.

ALCHEMIC SYSTEM